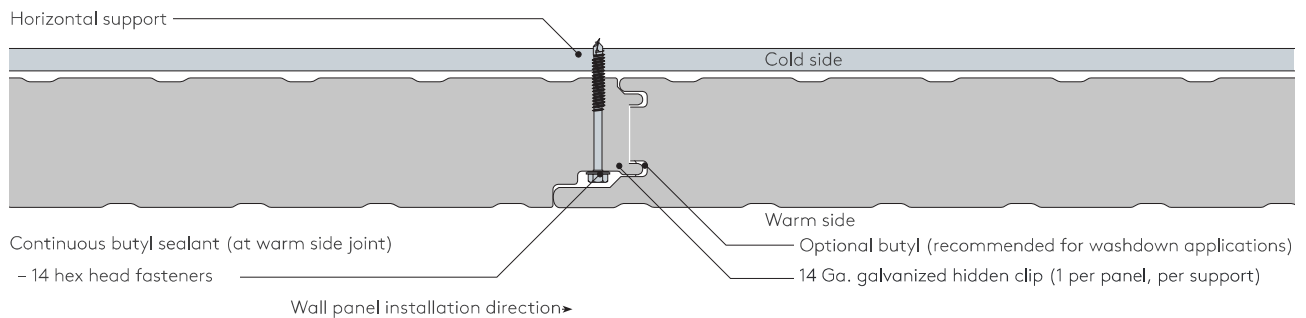
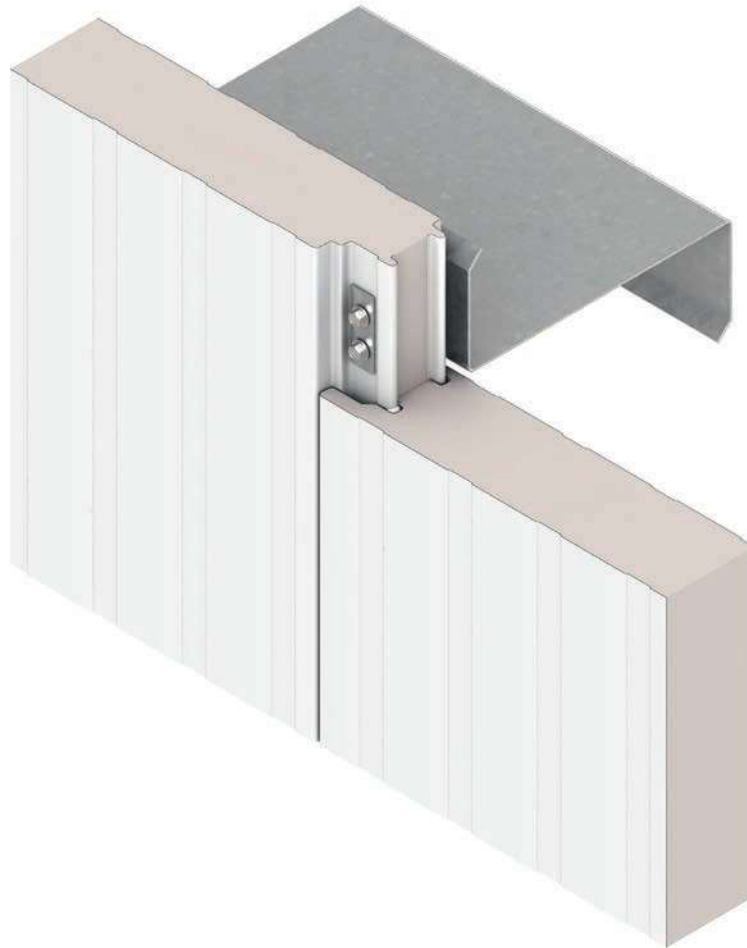


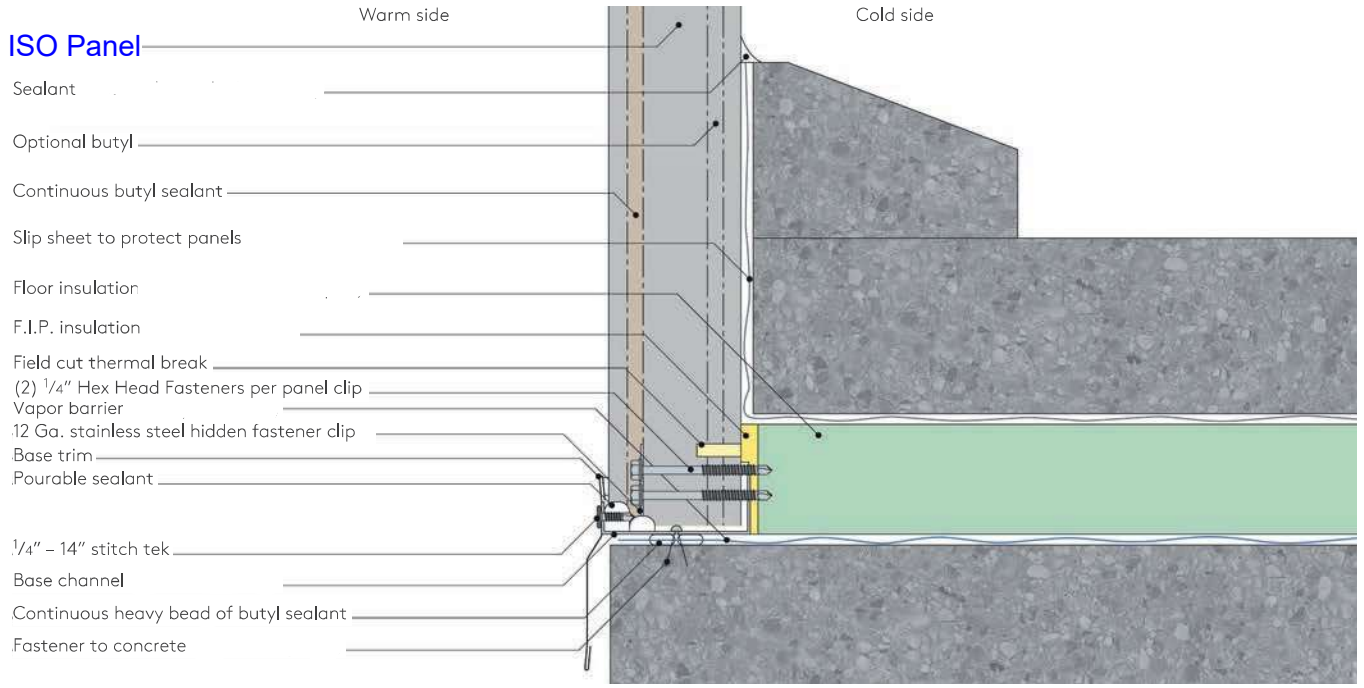
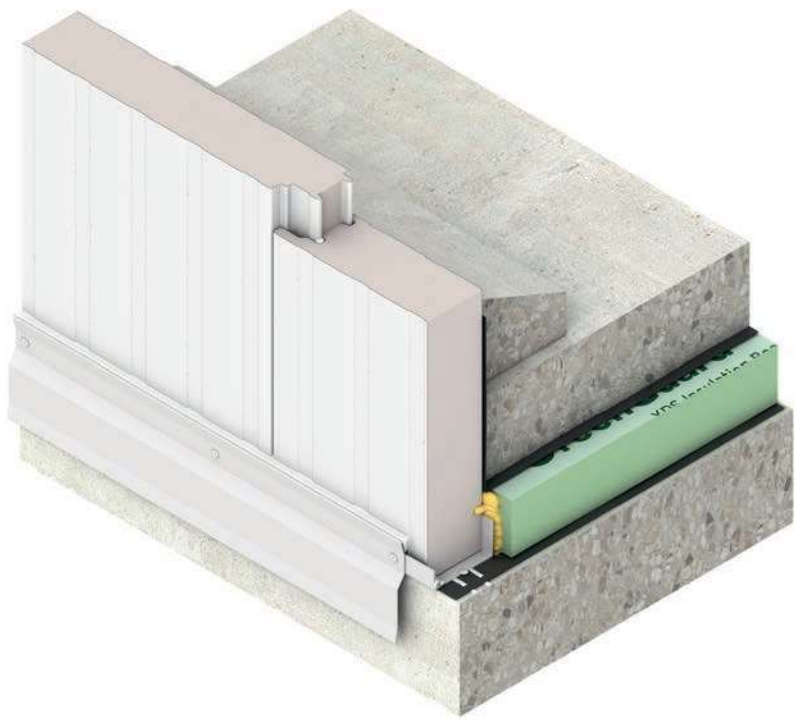
# Construction Details

## Engaged Panel Joint



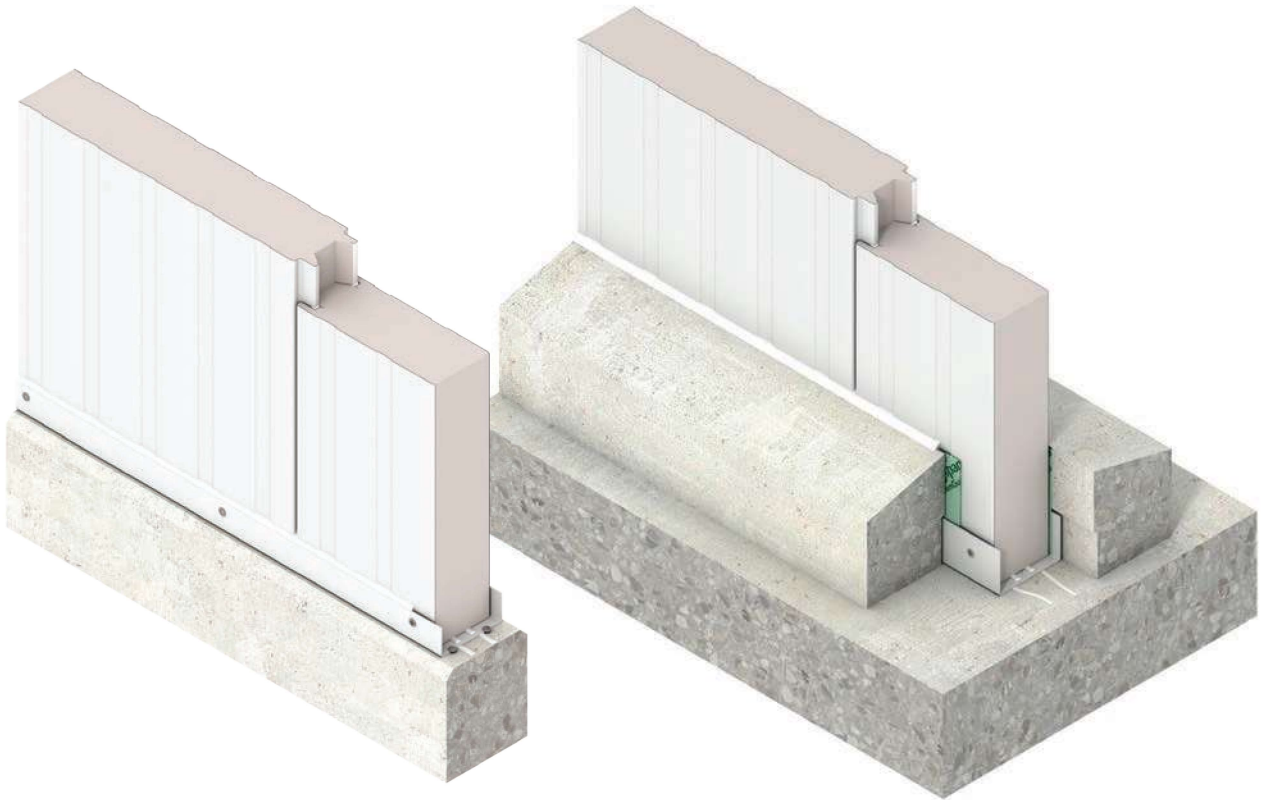
# Construction Details

Base with Insulated Slab

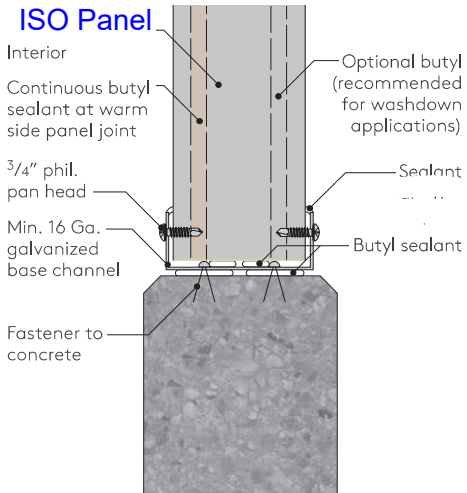


# Construction Details

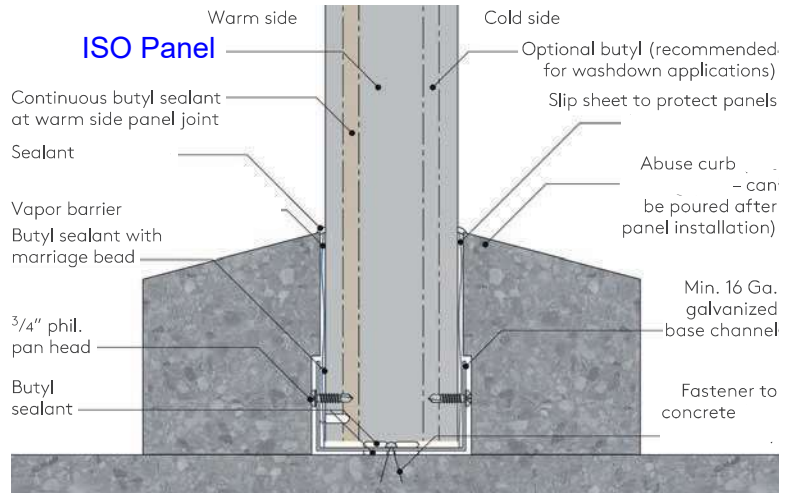
## Partition Base



### On top of curbs



### With curbs

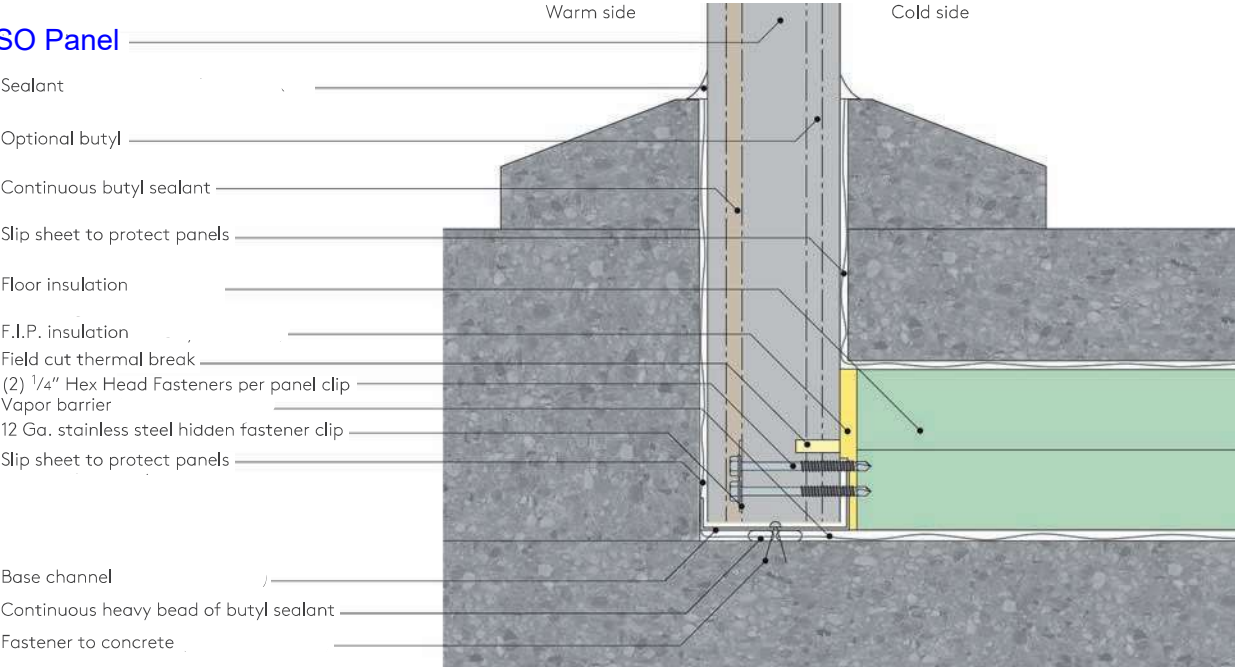


# Construction Details

Partition Base

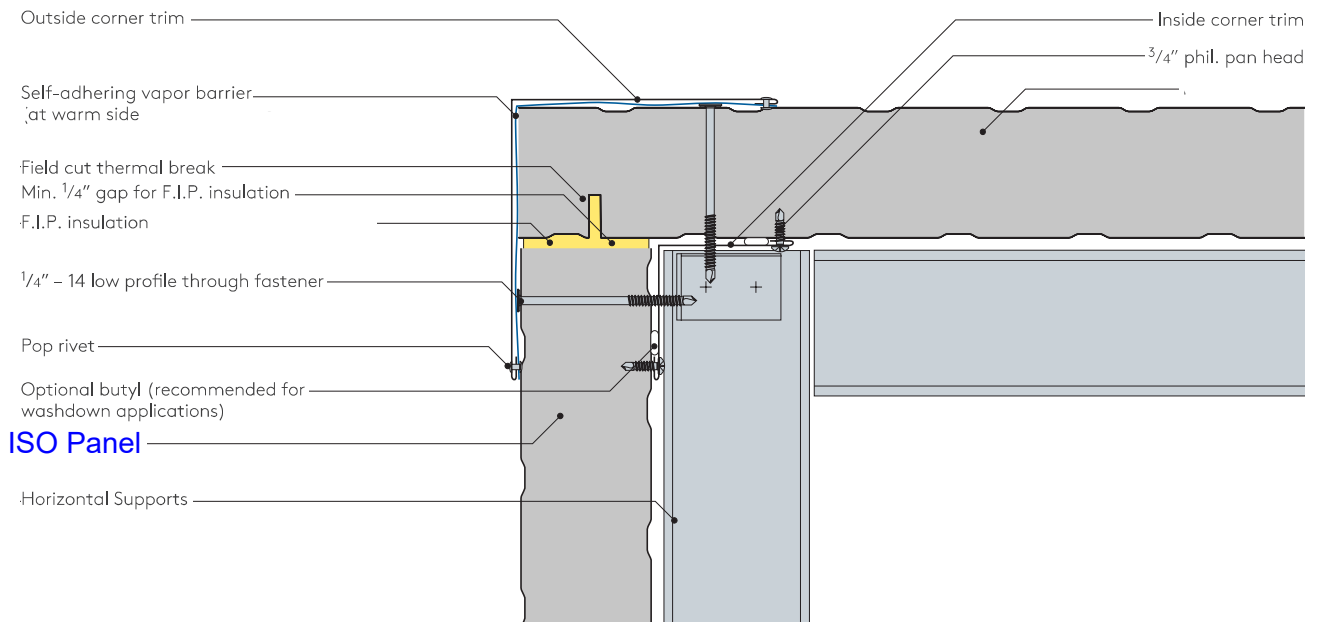
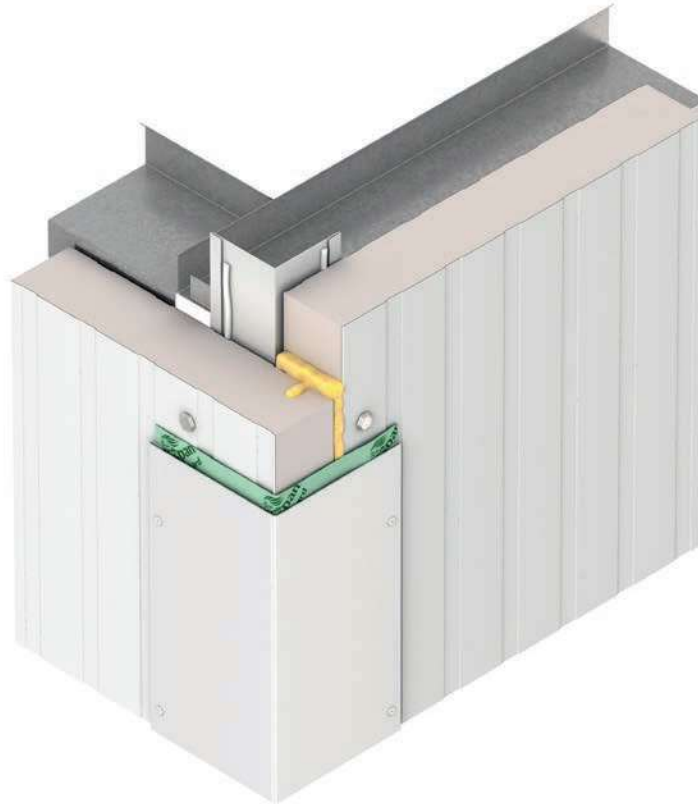


**ISO Panel**



# Construction Details

## Outside Corner Flush Trim





# Construction Details

Interior Partition to Exterior Wall

